



Juice Extractor

User Manual
PS75851



IMPORTANT SAFEGUARDS

Signal Word Definitions

DANGER – Indicates an imminently hazardous situation, which, if not avoided, will result in death or serious injury. Usage of this signal word is limited to the most extreme situations.

WARNING – Indicates a potentially hazardous situation, which, if not avoided, could result in death or serious injury.

CAUTION – Indicates a potentially hazardous situation, which, if not avoided, may result in minor/moderate injury or product/property damage. It also alerts against unsafe practices.

When using this or any other electrical appliance, always follow these basic safety precautions:

READ ALL INSTRUCTIONS BEFORE USE.

WARNING-- To reduce the risk of fire, electric shock, or serious personal injury:

- Always ensure the product is unplugged from the electrical outlet before relocating, assembling, disassembling, or cleaning it.
- Keep the product out of the reach of children and pets. This product is not intended for use by children.
- Do not leave the product unattended while it is in use, especially when children are present. Always unplug the product from the electrical outlet when it is not in use.
- Do not place product Base in or expose it to water or other liquids.
- Keep the Power Cord and product away from heated surfaces.
- Do not use attachments not recommended or sold by the product manufacturer.
- Handle the Blades with care as they are extremely sharp. Use caution when attaching or detaching the Blades.
- Do not touch moving parts (e.g., the Blades) while the product is in use. Keep hands and utensils away from the moving Blades while operating the product.
- Do not plug/unplug the product into/from the electrical outlet with a wet hand.
- To disconnect the product from an electrical outlet, pull directly on the plug; do not pull on the power cord.
- Always operate the product with the cover in place.

- Never place the Blade Assembly on the Base unless attached to the Jar.
- Do not put any stress on the Power Cord where it connects to the product, as the Power Cord could fray and break.
- Keep hands and utensils out of container while blending .A scraper may be used but only when the blender is not running.
- Do not operate the product if it has a damaged or cut Power Cord or plug, if wires are exposed, if it malfunctions, or if it is dropped or damaged. This product has no user-serviceable parts. Do not attempt to examine or repair this product yourself. Only qualified service personnel should perform any servicing; take the product to the appliance repair shop of your choice for inspection and repair.

CAUTION-- To reduce the risk of personal injury or product/property damage:

- This product is intended for indoor, non-commercial, non-industrial use in processing foods for human consumption. Do not use the product outdoors or for any other purpose.
- Always operate the product on a flat, stable surface.
- Do not attempt to open any part of the Motor Housing.
- Do not allow the Power Cord to hang, such as over the edge of a table or counter, where it may be tripped over or pulled.

SPECIAL INSTRUCTIONS:

- To avoid a circuit overload when using this product, do not operate another high-wattage product on the same electrical circuit.
- Avoid the use of an extension cord because the extension cord may overheat increasing the risk of fire. However if an extension cord must be used, the cord must be No. 14 AWG minimum size and rated not less than 1875W.



WARNING: This product is equipped with a polarized plug (one blade is wider than the other blade) to reduce the risk of electrical shock. This is a safety feature. The plug will fit into a polarized outlet only one way. If you are unable to insert the plug into the electrical outlet, try reversing the plug. If the plug still does not fit, contact a qualified electrician. Never use the plug with an extension cord unless you can fully insert the plug into the extension cord. Do not alter the plug. Do not attempt to defeat the safety purpose of the polarized plug.

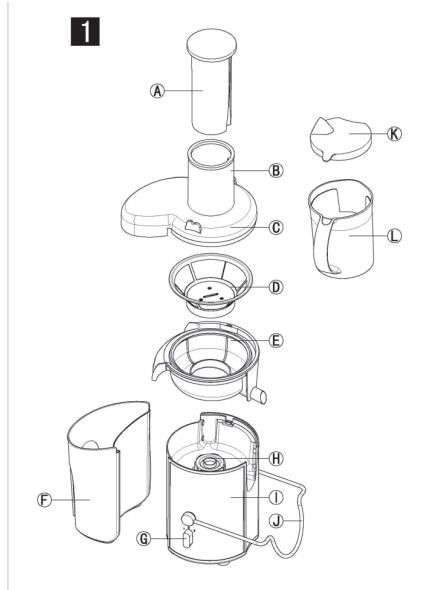
SAVE THESE INSTRUCTIONS FOR FUTURE REFERENCE

Instruction

Your new juicer has a special, slightly tilted design that leans 5° to the side of the juice outflow opening to ensure maximum juice output.
General description(Fig.1)

Parts: 1

- A. Pusher
- B. Feeding tube
- C. Lid
- D. Filter
- E. Juicer collector
- F. Pulp container
- G. Control knob
- H. Driving shaft
- I. Motor unit
- J. Safety clamp
- K. Juice jug lid
- L. Juice jug



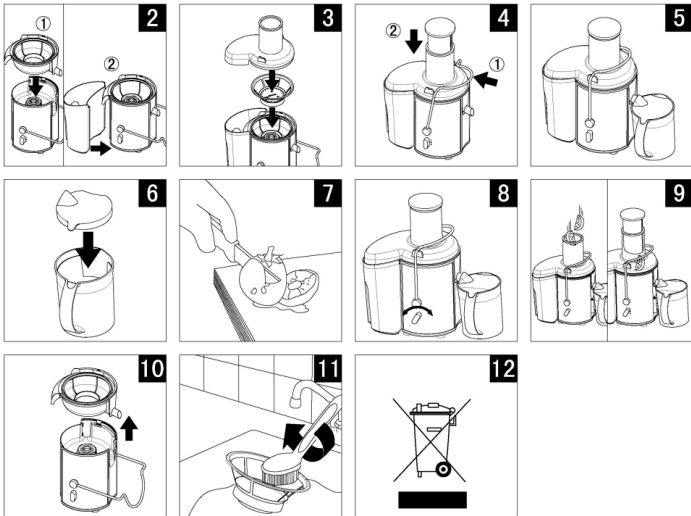
Important

Read these instructions for use carefully before using the appliance and save them for future reference.

1. Check if the voltage indicated on the base of the appliance corresponds to the local mains voltage before you connect the appliance.
2. Do not use the appliance when the mains cord , the plug or other components are damaged.
3. If the mains cord is damaged, it must be replaced by a service centre authorised by or similarly qualified persons in order to avoid a hazard.
4. This appliance is intended for household use only.
5. Keep the appliance out of the reach of children.
6. Never let the appliance operate unattended.
7. Make sure all parts are correctly mounted before you switch on the appliance.
8. Only use the appliance when safety clamps are locked.
9. Do not operate the juicer for more than 40 seconds at a time when juicing heavy loads and let it cool down sufficiently afterwards.
10. Never reach into the feeding tube with your fingers or an object while the appliance is running. Only the pusher is to be used for this purpose.
11. Only unlock the clamps after you have switched the appliance off and the filter has stopped rotating.
12. Do not remove the pulp container when the appliance is in operation.
13. Do not touch the small cutting blades in the base of the filter.

14. Always unplug the appliance after use.
15. Never immerse the motor unit in water or any other liquid. Do not rinse it either.

Parts: 2



Preparing for use

1. Wash all detachable parts(see chapter ‘Cleaning’).
2. Put the plug in the wall socket.
3. Place the juice collector into the appliance (1) and place the pulp container into the appliance by tilting it forwards slightly(2).Insert the top end first and then push home the bottom end .(Fig.2)
While you are preparing juice, you can empty the pulp container by switching the appliance off and carefully removing the pulp container.
Note: Reassemble the empty pulp container before you continue juicing.
4. Put the filter in the juice collector(1) and hold the lid over the filter and lower it into position(2). (Fig. 3)
5. Snap the safety clamp onto the lid to lock it into place(‘click’)(1) and slide the pusher into the feeding tube by aligning the groove in the pusher with the small protrusion on the inside of the feeding tube(2). (Fig.4)
Make sure the safety clamps are locked into the position on either side of the lid.
6. Place the juice jug under the spout.(Fig.5)
Place the lid on the juice jug to avoid splattering or if you want to store the juice in the refrigerator.
To separate the foam from the juice when pouring the juice into a glass, insert the foam separator by sliding it into the juice jug.(Fig.6)

Using the appliance

The appliance will only function if all parts have been properly assembled and the lid has been properly locked in place with the clamp.

1. Wash the fruit and/or vegetables and cut them into pieces that fit into the feeding tube.(Fig.7)
2. Make sure the juice jug has been placed under the spout.
3. Switch the appliance on by turning the control knob to setting 1(low speed) or 2 (normal speed).(Fig.8)
Speed 1 is especially suitable for soft fruits and vegetables such as watermelons, grapes, tomatoes, cucumbers and raspberries.
Speed 2 is suitable for all kinds of fruits and vegetables.
4. Put the pre-cut pieces in the feeding tube and gently press them down towards the rotating filter by means of the pusher.(Fig.9)

Do not exert too much pressure on the pusher, as this could affect the quality of the end result and it could even cause the filter to come to a halt. Never insert your fingers or an object into the feeding tube.

After you have processed all ingredients and the juice flow has stopped, switch the appliance off and wait until the filter has stopped rotating.

Tips

1. Use fresh fruit and vegetables, as they contain more juice, pineapples, beetroots, celery stalks, apples, cucumbers, carrots, spinach, melons, tomatoes, pomegranates, oranges and grapes are particularly suitable for processing in the juice extractor.
2. You don't have to remove thin peels or skins. Only thick peels, e.g. those of oranges, pineapples and uncooked beetroots need to be removed.
3. When preparing apple juice, remember that the thickness of the apple juice depends on the kind of apple you are using. The juicer the apple, the thinner the juice. Choose a kind of apple that produces the type of juice you prefer.
4. Apple juice turns brown very quickly. You can slow down this process by adding a few drops of lemon juice.
5. Fruits that contain starch, such as bananas, papayas, avocados, figs and mangoes are not suitable for processing in the juice extractor. Use a food processor, blender or bar blender to process these fruits.
6. Leaves and leaf stalks of e.g. lettuce can also be processed in the juice extractor.
7. Drink the juice immediately after you have extracted it. If it is exposed to air for some time, the juice will lose its taste and nutritional value.
8. To extract the maximum amount of juice, always press the pusher down slowly.
9. The juicer is not suitable for processing very hard and /or fibrous/starchy fruit or vegetables such as sugar cane.

Cleaning

The appliance is easier to clean if you do so immediately after use.

Do not use abrasive cleaning agents, scourers, acetone, alcohol etc. to clean the appliance.

All detachable parts are dishwasher-safe.

Place the detachable plastic parts on the top tray of the dishwasher. Make sure they are placed well away from the heating element.

1. Switch the appliance off, remove the plug from the wall socket and wait until the filter has stopped rotating.
2. Remove the dirty parts from the motor unit. Dissassemble the appliance in the following order:
 - Remove the pulp container;
 - Remove the pusher;
 - Open the clamp;
 - Remove the lid.
3. Remove the juice collector together with the filter.(Fig.10)
4. Clean these parts with a cleaning brush in warm water with some washing-up liquid and rinse them under the tap.(Fig.11)
5. Clean the motor unit with a damp cloth.

Never immerse the motor unit in water nor rinse it under the tap.

Environment

Do not throw the appliance away with the normal household waste at the end of its life, but hand it in at an official collection point for recycling. By doing this you will help to preserve the environment.(Fig.12)

Troubleshooting

This chapter summarises the most common problems you could encounter with your juice extractor. Please read the different sections for more details. If you are unable to solve the problem, please contact your customer care centre in your country.

Problem	Solution
The appliance does not work	The appliance is equipped with a safety system. It won't work if the parts have not been mounted properly. Check whether the parts have been assembled in the right way, but switch off the appliance before you do so.
The motor unit gives off an unpleasant smell the first few times the appliance is used.	This is not unusual. If the appliance continues to give off this smell after a few times, check the quantities you are processing and the processing time.
The appliance makes a lot of noise, gives off an unpleasant smell, is too hot to touch, gives off smoke etc.	Switch the appliance off and unplug it. Turn to the nearest service centre or your dealer for assistance.
The filter is blocked.	Switch the appliance off, clean the feeding tube and the filter and process a smaller quantity.
The filter touches the feeding tube or vibrates strongly during processing.	Switch the appliance off and unplug it. Check if the filter has been properly placed in the juice collector. The ribs in the bottom of the filter should fit properly onto the driving shaft. Check if the filter is damaged. Cracks, crazes, a loose grating disc or any other irregularity may cause malfunction.

Electrical Specifications

Electrical Ratings:

120V AC

60 Hz 700 Watts



Extractor de Jugos

Manual de Usuario

PS75851



SÓLO PARA USO DOMÉSTICO

PRECAUCIONES IMPORTANTES

Definiciones de las Palabras de Aviso

PELIGRO: Indica la presencia de una situación inminentemente peligrosa, la cual, sino se evita, producirá la muerte o lesiones graves. El uso de esta palabra se limita a situaciones muy extremas.

ADVERTENCIA: Indica la presencia de una situación potencialmente peligrosa, la cual, si no se evita, podría ocasionar la muerte o lesiones graves.

PRECAUCIÓN: Indica la presencia de una situación potencialmente peligrosa, la cual, si no se evita, podría ocasionar lesiones menores o moderadas o daños al producto o a la propiedad: También sirve de alerta para evitar prácticas no seguras.

Al momento de utilizar éste o cualquier otro electrodoméstico, siempre siga las siguientes precauciones de seguridad básicas.

LEA TODAS LAS INSTRUCCIONES ANTES DE USAR

ADVERTENCIA – Con el fin de reducir el riesgo de que se produzca fuego, una descarga eléctrica o lesiones personales graves:

- Asegúrese de que el producto se encuentre desenchufado antes de trasladarlo, armarlo, desarmarlo o proceder a efectuar la limpieza.
- Mantenga el producto fuera del alcance de los niños. Este producto no ha sido diseñado para ser utilizado por niños.
- No deje el producto desatendido mientras se encuentre en funcionamiento, especialmente en la presencia de niños. Desconecte el aparato si no lo va a utilizar.
- No coloque la base del producto ni la esponja a agua u otros líquidos.
- Mantenga el cordón lejos de cualquier superficie caliente.
- No utilice aditamentos no recomendados o vendidos por parte del fabricante.
- Manipule las cuchillas con cuidado ya que son muy afiladas. Tenga cuidado al momento de colocar o retirar las cuchillas.
- No toque las partes en movimiento (por ejemplo, las cuchillas) mientras el equipo se encuentre funcionando. Mantenga las manos y los utensilios lejos de las cuchillas en movimiento mientras el producto se encuentre funcionando.
- No enchufe ni desenchufe el producto con las manos mojadas.

- Para desconectar el producto, tire directamente del enchufe y no del cordón.
- Siempre utilice el producto con la tapa en su lugar.
- No presione ni fuerce el cordón en el lugar donde se conecta al producto ya que éste se puede deteriorar a romper.
- Mantenga las manos y utensilios fuera del recipiente durante el funcionamiento. Se puede utilizar una espátula pero solamente cuando el producto se haya detenido.
- No utilice el producto si se ha dañado o si el enchufe o el cordón se encuentran deteriorados, si los cables están expuestos, si presenta algún desperfecto, si ha sufrido una caída o si ha sufrido algún daño. Este producto no contiene piezas útiles para el usuario. No intente examinar ni arreglar el producto usted mismo. Sólo el personal técnico calificado debe llevar a cabo el mantenimiento. Lleve el producto al centro de servicio técnico de su elección para que se lo examine y repare.

PRECAUCIÓN – Con el fin de reducir el riesgo de lesiones personales o daños al producto o a la propiedad:

- Este producto ha sido diseñado para utilizarse en ambientes interiores, para fines no comerciales y no industriales del procesamiento de alimentos para consumo humano. No utilice el producto al aire libre ni para otros fines.
- Utilice el producto sobre una superficie plana y estable.
- No intente abrir ninguna de las partes del motor.
- No permita que el cordón cuelgue del borde de la mesa o repostero de cocina, ya que alguien puede tropezarse o tirar de él.

INSTRUCCIONES ESPECIALES

- Con el fin de evitar la sobrecarga del circuito al utilizar este producto, no conecte otros productos de alto voltaje al mismo circuito eléctrico.
- Evite utilizar un cable de extensión ya que éste se puede sobrecalentar incrementando el riesgo de que se produzca fuego. Sin embargo, si fuera necesario utilizar un cable de extensión, éste debe ser de un tamaño mínimo No. 14 AWG y con una resistencia no menor a 1875W.



ADVERTENCIA: Este producto viene equipado con un enchufe polarizado (una extremidad es más ancha que la otra) con el fin de reducir el riesgo de una descarga eléctrica. Esta es una medida de seguridad. Este tipo de enchufe solamente encaja dentro de un enchufe polarizado de una sola manera. Si no se puede insertar el enchufe dentro del tomacorriente, intente dándole la vuelta. Si aún así no encajara, póngase en contacto con un electricista calificado. Nunca utilice este tipo de enchufe con un cable de

extensión a menos que se pueda insertar totalmente el enchufe dentro de la extensión. No intente alterar el enchufe. No intente eliminar esta medida de seguridad del enchufe polarizado.

GUARDE ESTAS INSTRUCCIONES PARA CUALQUIER REFERENCIA EN EL FUTURO

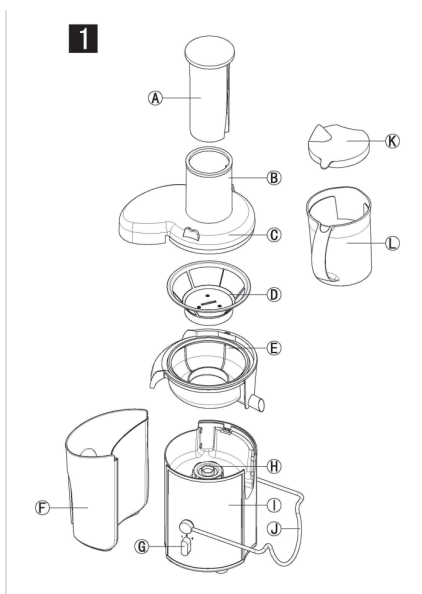
Instrucciones

El extractor de jugos cuenta con un diseño de ligera inclinación de unos 5° en el costado de la salida del jugo para permitir obtener el máximo jugo posible.

Descripción General (Figura 1)

Partes: 1

- A. Empujador
- B. Tubo de alimentación
- C. Tapa
- D. Filtro
- E. Recolector de jugo
- F. Recipiente para pulpa
- G. Perilla de control
- H. Base para la cuchilla
- I. Motor
- J. Seguro
- K. Tapa de la jarra para jugo
- L. Jarra para jugo



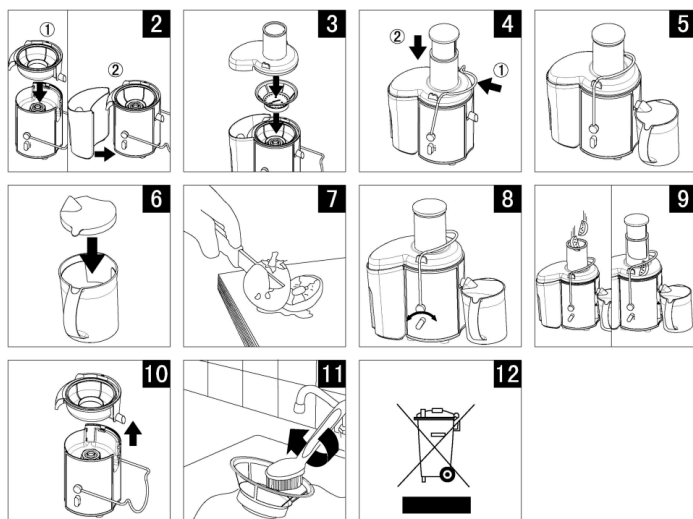
Importante

Lea estas instrucciones con cuidado antes de utilizar el electrodoméstico y guárdelas para cualquier referencia en el futuro.

1. Verifique que el voltaje indicado en la base del electrodoméstico corresponda al voltaje de electricidad de su hogar antes de conectarlo.
2. No utilice el electrodoméstico si el cordón, el enchufe o cualquier otro componente se encuentra dañado.
3. Si el cordón se encontrara dañado, éste debe ser remplazado por parte del centro de servicio técnico autorizado o cualquier otra persona calificada con el fin de evitar eventualidades.
4. Este electrodoméstico es sólo para uso doméstico.

5. Mantenga el electrodoméstico fuera del alcance de los niños.
6. Nunca deje el electrodoméstico funcionando sólo.
7. Asegúrese de que todas las piezas se encuentren correctamente colocadas antes de encender el electrodoméstico.
8. Utilice el electrodoméstico solamente cuando el seguro se encuentre en su lugar.
9. No utilice el electrodoméstico durante más de 40 segundos a la vez. Déjelo enfriar suficientemente después de cada proceso de extracción.
10. Nunca meta los dedos dentro del tubo de alimentación ni ningún otro objeto mientras el electrodoméstico se encuentre funcionando. Sólo debe utilizarse el empujador para estos propósitos.
11. Sólo retire el seguro una vez apagado el electrodoméstico y después de que el filtro haya dejado de rotar.
12. No retire el recipiente para pulpa mientras el electrodoméstico se encuentre funcionando.
13. No toque las cuchillas en la base del filtro.
14. Siempre desenchufe el electrodoméstico después de cada uso.
15. Nunca sumerja el motor en agua ni en ningún otro líquido. Tampoco lo enjuague.

Partes: 2



Preparación para el uso

1. Lave todas las piezas (Véase la sección de Limpieza).
2. Proceda a enchufar.
3. Coloque el recolector para pulpa dentro del electrodoméstico (1) y coloque el recipiente para pulpa (2) dentro del aparato inclinándolo ligeramente hacia delante. Inserte el extremo superior primero y luego empuje el extremo inferior (Fig. 2).

Mientras se está preparando el jugo, se puede vaciar el recipiente para pulpa apagando el electrodoméstico y con cuidado retirando la pulpa del recipiente.

Nota: Vuelva a colocar el recipiente para pulpa antes de continuar extrayendo jugo.

4. Coloque el filtro dentro del recolector para jugo (1) y luego proceda a colocar la tapa en su lugar (2). (Fig. 3).

5. Cierre el seguro sobre la tapa asegurándose de que quede bien fijado y deslice el empujador dentro del tubo de alimentación alineando la ranura del empujador con la pequeña protuberancia que se encuentra en la parte interior del tubo de alimentación (2) (Fig. 4).

Asegúrese de haber colocado el seguro en su lugar en ambos lados de la tapa.

6. Coloque la jarra para jugo debajo del pico (Fig. 5).

Coloque la tapa sobre la jarra para jugo para evitar salpicaduras o si se desea guardar el jugo en el refrigerador. Para separar la espuma del jugo al momento de verter el jugo en un vaso, inserte el separador de espuma deslizándolo dentro de la jarra para jugo. (Fig. 6)

Cómo utilizar el Electrodoméstico

El electrodoméstico sólo funcionará si todas las piezas se han colocado en su lugar y si se ha colocado la tapa adecuadamente y debidamente cerrada con el seguro.

1. Lave las frutas y/o verduras y córtelas en pequeños trozos que puedan encajar a través del tubo de alimentación (Fig. 7).

2. Asegúrese de haber colocado la jarra para jugo debajo del pico.

3. Encienda el electrodoméstico girando la perilla de control al nivel 1 (velocidad baja) o 2 (velocidad normal) (Fig. 8).

La velocidad 1 es esencialmente adecuada para frutas y verduras suaves tales como sandías, uvas, tomates, pepinillos y frambuesas.

La velocidad 2 es adecuada para todo tipo de frutas y verduras.

4. Inserte los trozos a través del tubo de alimentación y presione suavemente hacia abajo sobre el filtro de rotación utilizando el empujador (Fig. 9).

No ejerza demasiada presión sobre el empujador ya que esto podría afectar la calidad del resultado final y además podría hacer que el filtro se detenga.

Nunca inserte sus dedos ni ningún otro objeto dentro del tubo de alimentación.

Después de haber procesado todos los ingredientes y de que el flujo de jugo se haya detenido, apague el electrodoméstico y espere hasta que el filtro deje de rotar.

Consejos prácticos

1. Utilice frutas y verduras frescas ya que contienen más jugo. Las piñas, remolachas, apio, manzanas, pepinillos, zanahorias, espinaca, melones, tomates, pomelos, naranjas y uvas son generalmente las más apropiadas para procesarse en un extractor de jugos.

2. No es necesario retirar la cáscara o pelar. Solamente es necesario pelar las cáscaras gruesas, como por ejemplo la cáscara de naranja, piña y de remolacha sin cocer.

3. Al momento de preparar jugo de manzana, recuerde que el espesor del jugo de manzana dependerá del tipo de manzana que se utilice. A más jugosa sea la manzana, menos espeso será el jugo. Seleccione el tipo de manzana que produzca el tipo de jugo que usted prefiera.

4. El jugo de manzana se vuelve de color marrón muy rápidamente. Se puede desacelerar este proceso añadiendo unas cuantas gotas de jugo de limón.
5. Algunas frutas contienen almidón. Frutas como plátanos, papayas, paltas (avocados), higos y mangos no son apropiados para procesarse en el extractor de jugos. Utilice un procesador de alimentos o licuadora para procesar estas frutas.
6. También se puede procesar hojas y tallos, como por ejemplo de lechugas en el extractor de jugos
7. Beba el jugo inmediatamente después de haberlo extraído. Si queda expuesto al aire durante un tiempo, el jugo perderá su sabor y su valor nutricional.
8. Con el fin de extraer la mayor cantidad de jugo, presione el empujador hacia abajo lentamente.
9. El extractor de jugos no es apropiado para procesar frutas o verduras muy duras, fibrosas o con alto contenido de almidón tal como la caña de azúcar.

Limpieza

El electrodoméstico es más fácil de limpiar si se hace inmediatamente después de cada uso.

No utilice limpiadores abrasivos, esponjas, acetona, alcohol, etc. para limpiar el electrodoméstico.

Todas las piezas del aparato pueden lavarse en la máquina lavavajillas.

Coloque las partes plásticas en la bandeja superior de la máquina lavavajillas. Asegúrese de colocarlas lejos del componente de calentamiento.

1. Apague y desconecte el electrodoméstico y espere hasta que el filtro deje de rotar totalmente.
 2. Retire todas las piezas del motor desarmando el electrodoméstico en el siguiente orden:
 - Retire el recipiente para pulpa;
 - Retire el empujador;
 - Abra el seguro;
 - Retire la tapa.
 - Retire el recolector de jugo junto con el filtro (Fig. 10).
 - Limpie todas las piezas con una escobilla utilizando agua tibia y un poco de jabón líquido y luego proceda a enjuagar debajo del grifo (Fig. 11).
 - Limpie el motor utilizando un paño húmedo.
- Nunca sumerja el motor en agua ni lo enjuague debajo del grifo.

Medio Ambiente

No deseche el electrodoméstico junto con los desperdicios caseros al final de su vida útil. Entréguelo en un punto de recolección oficial de reciclaje. Al hacer esto usted está ayudando a preservar el medio ambiente (Fig. 2).

Solución de Problemas

Abajo se hace un resumen de los problemas más comunes que se podría encontrar al utilizar el extractor de jugos. Léase las diferentes secciones para más detalles. Si no se puede resolver el problema, póngase en contacto con el centro de servicio cliente de su país.

Problema	Solución
Electrodoméstico no funciona	El electrodoméstico cuenta con un sistema de Seguridad. No funcionará si las piezas no se han colocado adecuadamente. Verifique si todas las piezas se han colocado de la manera correcta, desconectando el electrodoméstico antes de hacerlo.
El motor emite un olor extraño	Esto no es anormal. Si el electrodoméstico durante las primeras veces continúa emitiendo este olor después de de uso algunas veces, verifique las cantidades y el tiempo que se está utilizando para procesar.
El filtro se encuentra obstruido	Desconecte el electrodoméstico. Procede a limpiar el tubo de alimentación y el filtro y procese utilizando cantidades menores.
El filtro toca el tubo de alimentación o vibra demasiado durante el procesamiento	Apague el electrodoméstico y desenchúfelo. Verifique que el filtro se haya colocado adecuadamente dentro del recolector para jugo. Las ranuras en la parte inferior del filtro deben encajar adecuadamente sobre la base. Verifique que el filtro no se encuentre dañado. Cualquier rajadura o cualquier otra irregularidad pueden causar desperfectos.

Especificaciones Eléctricas

Resistencia eléctrica 120V AC 60 Hz 700 Vatios